

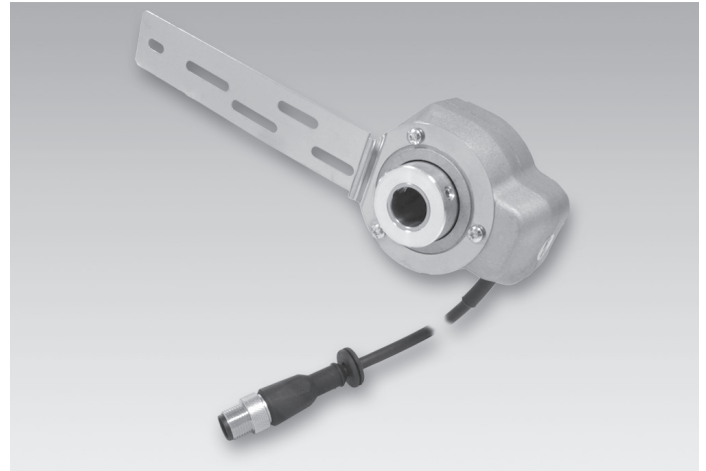
ITD 23 A 4 Y 2

Through hollow shaft $\varnothing 14$ mm

128 pulses per revolution

Overview

- Size $\varnothing 58$ mm
- Precise optical sensing
- Output signal level TTL or HTL
- Through hollow shaft $\varnothing 14$ mm
- Connection tangential
- 128 pulses per revolution
- Operating temperature $-20\dots+85$ °C



Technical data

Technical data - electrical ratings

| | |
|-----------------------------|--------------------------------------|
| Voltage supply | 5 VDC ± 5 % 8...26 VDC |
| Reverse polarity protection | Yes |
| Consumption w/o load | ≤ 40 mA |
| Pulses per revolution | 128 |
| Sensing method | Optical |
| Output frequency | ≤ 30 kHz |
| Output signals | A 90° B |
| Output stages | TTL Push-pull short-circuit proof |
| Interference immunity | DIN EN 61000-6-2 |
| Emitted interference | DIN EN 61000-6-3 |

Technical data - mechanical design

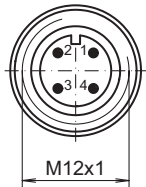
| | |
|---------------|--|
| Size (flange) | 60 x 72 mm |
| Shaft type | $\varnothing 14$ mm (through hollow shaft) |

Technical data - mechanical design

| | |
|-------------------------|---|
| Mounting kit | 019 021 |
| Protection DIN EN 60529 | IP 54 IP 65 |
| Operating speed | ≤ 5000 rpm ≤ 3000 rpm IP 65 (>70 °C) |
| Starting torque | $\leq 0,01$ Nm ($+20$ °C) |
| Material | Housing: aluminium Shaft: stainless steel |
| Operating temperature | $-20\dots+85$ °C |
| Relative humidity | 90 % non-condensing |
| Resistance | DIN EN 60068-2-6 Vibration 10 g, 55-2000 Hz DIN EN 60068-2-27 Shock 100 g, 11 ms |
| Connection | Cable 0.5 m, connector M12, 4-pin, coupling K10SK4 |
| Weight approx. | 315 g |

Terminal assignment

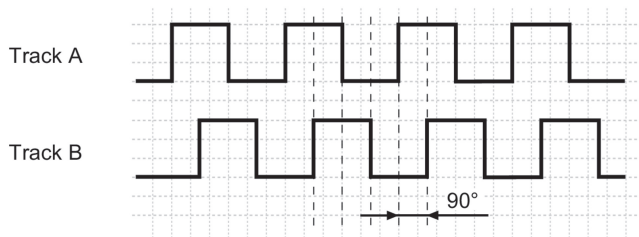
| Connector | Assignment |
|-----------|------------|
| Pin 1 | UB |
| Pin 2 | Track B |
| Pin 3 | GND |
| Pin 4 | Track A |



Output signals

Clockwise rotation when looking at the mounting side.

BX-Output signals



Trigger level

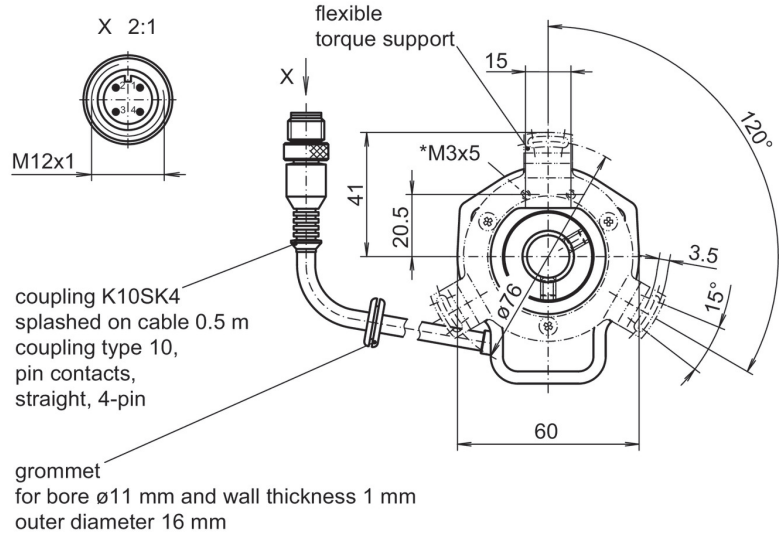
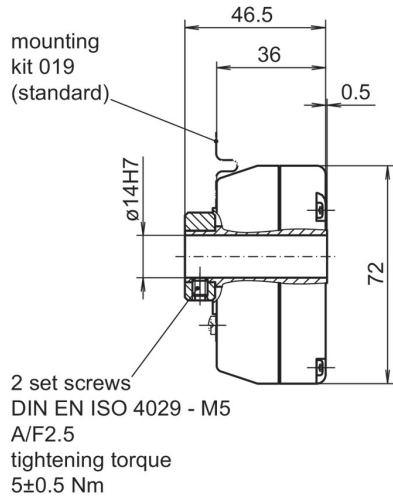
| Outputs | Linedriver |
|-------------------|--------------|
| Output level High | ≥ 2.4 V |
| Output level Low | ≤ 0.5 V |
| Load | ≤ 40 mA |

| Outputs | Push-pull short-circuit proof |
|-------------------|-------------------------------|
| Output level High | $\geq UB - 3$ V |
| Output level Low | ≤ 1.5 V |
| Load | ≤ 40 mA |

ITD 23 A 4 Y 2

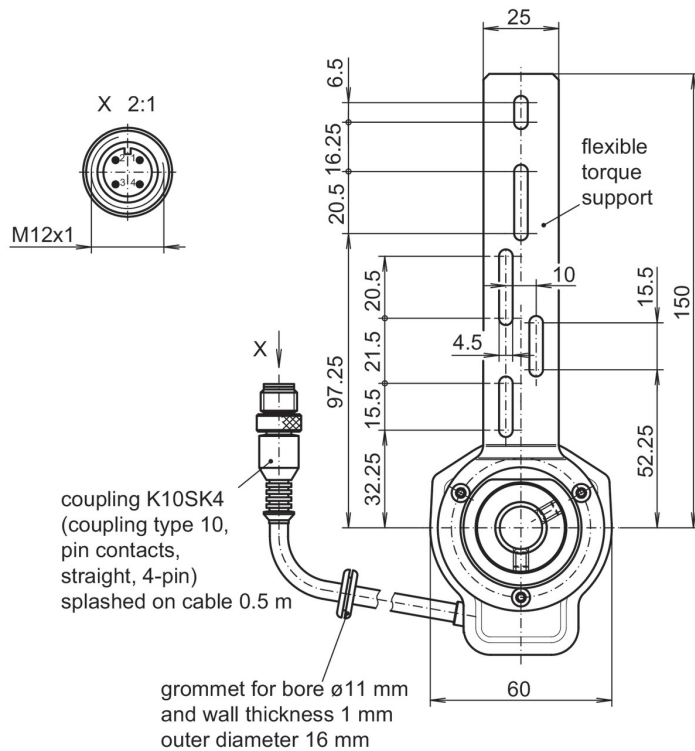
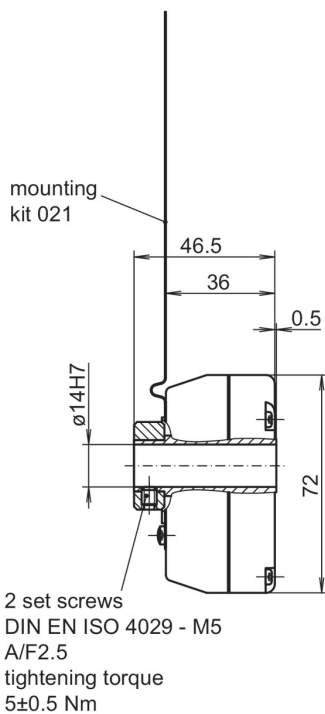
Through hollow shaft $\varnothing 14$ mm
128 pulses per revolution

Dimensions



* mounting also for mounting kits of the ITD 2.- series possible.

ITD 23 A 4 Y 2 with mounting kit 019



ITD 23 A 4 Y 2 with mounting kit 021

ITD 23 A 4 Y 2

Through hollow shaft ø14 mm

128 pulses per revolution

Ordering reference

| | | | | | | | | | |
|--|-----------------------|------------|----------|-----------|---------------|----------|-----------|-------------|-----------|
| | ITD 23 A 4 Y 2 | 128 | # | BX | K10SK4 | S | 14 | #### | ## |
| Product | ITD 23 A 4 Y 2 | | | | | | | | |
| Pulse number | 128 | 128 | | | | | | | |
| Voltage supply / signals | | | | | | | | | |
| 5 VDC / TTL level, linedriver | | | | T | | | | | |
| 8...26 VDC / HTL level, push-pull | | | | H | | | | | |
| Output signals | | | | | | | | | |
| A, B | | | | BX | | | | | |
| Connection | | | | | | | | | |
| Cable, 4-pin, pin contacts with coupling type 10 | | | | | K10SK4 | | | | |
| Operating temperature | | | | | | | | | |
| -20...+85 °C | | | | | | S | | | |
| Through hollow shaft | | | | | | | | | |
| ø14 mm | | | | | | | 14 | | |
| Protection | | | | | | | | | |
| IP 54 | | | | | | | | IP54 | |
| IP 65 | | | | | | | | IP65 | |
| Mounting kit | | | | | | | | | |
| Mounting kit 019 | | | | | | | | | 019 |
| Mounting kit 021 | | | | | | | | | 021 |