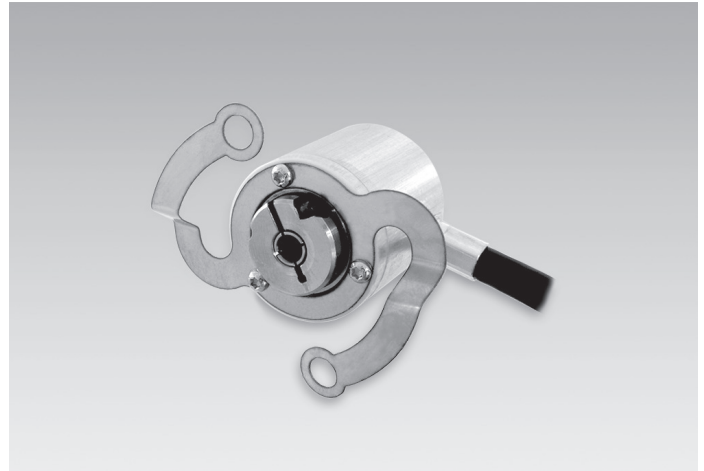


ITD 01 A 4 Y 4

Mini encoder with blind hollow shaft $\varnothing 4$ mm
30...1024 pulses per revolution

Overview

- Mini encoder with blind hollow shaft $\varnothing 4$ mm
- Max. 1024 pulses per revolution
- Optical sensing method
- Outer diameter $\varnothing 24$ mm
- TTL or HTL output signals
- Cable output radial
- Clamping ring torsion-proof



Technical data

Technical data - electrical ratings

Voltage supply	5 VDC $\pm 5\%$ 8...30 VDC
Reverse polarity protection	Yes
Consumption w/o load	≤ 25 mA
Pulses per revolution	30 ... 1024
Reference signal	Zero pulse, width 90°
Sensing method	Optical
Output frequency	≤ 100 kHz
Output signals	A 90° B, N
Output stages	TTL Push-pull short-circuit proof

Technical data - mechanical design

Size (flange)	$\varnothing 24$ mm
---------------	---------------------

Technical data - mechanical design

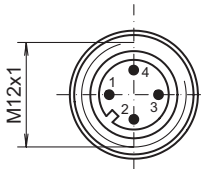
Shaft type	$\varnothing 4$ mm (blind hollow shaft)
Mounting kit	102
Protection DIN EN 60529	IP 64
Operating speed	≤ 10000 rpm
Starting torque	$\leq 0,005$ Nm (+20 °C)
Material	Housing: aluminium Shaft: stainless steel
Operating temperature	-20...+85 °C
Relative humidity	90 % non-condensing
Resistance	DIN EN 60068-2-6 Vibration 10 g, 55-2000 Hz DIN EN 60068-2-27 Shock 30 g, 11 ms
Connection	Cable 1 m
Weight approx.	45 g

ITD 01 A 4 Y 4

Mini encoder with blind hollow shaft $\varnothing 4$ mm
30...1024 pulses per revolution

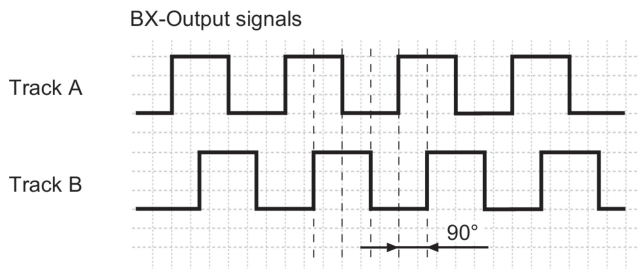
Terminal assignment

Connector	Assignment
Pin 1	UB
Pin 2	Track B
Pin 3	GND
Pin 4	Track A



Output signals

Clockwise rotation when looking at the mounting side.



Trigger level

Outputs	Linedriver
Output level High	≥ 2.4 V
Output level Low	≤ 0.5 V
Load	≤ 30 mA

Outputs	Push-pull short-circuit proof
Output level High	$\geq UB - 3$ V
Output level Low	≤ 1.5 V
Load	≤ 30 mA

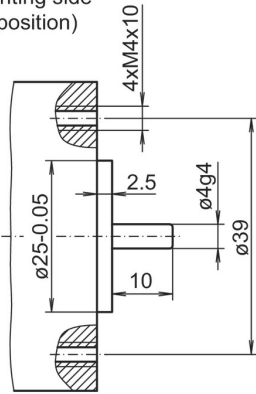
ITD 01 A 4 Y 4

Mini encoder with blind hollow shaft $\varnothing 4$ mm

30...1024 pulses per revolution

Dimensions

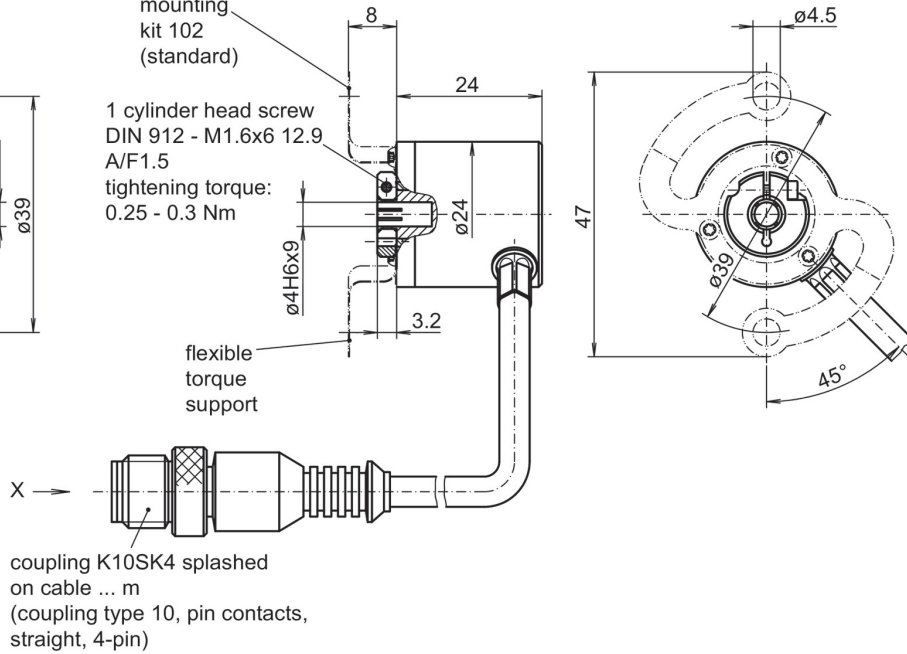
mounting side
(proposition)



mounting
kit 102
(standard)

1 cylinder head screw
DIN 912 - M1.6x6 12.9
A/F1.5
tightening torque:
0.25 - 0.3 Nm

flexible
torque
support



coupling K10SK4 splashed
on cable ... m
(coupling type 10, pin contacts,
straight, 4-pin)

ITD 01 A 4 Y 4

 Mini encoder with blind hollow shaft $\varnothing 4$ mm

30...1024 pulses per revolution

Ordering reference

	ITD 01 A 4 Y 4	#####	#	BX	K10SK4	S	4	IP64	102
Product	ITD 01 A 4 Y 4								
	ITD 01 A 4 Y 4								
Pulse number									
30		30							
60		60							
100		100							
300		300							
360		360							
500		500							
600		600							
1000		1000							
1024		1024							
Voltage supply / signals									
5 VDC / TTL level, linedriver				T					
8...30 VDC / HTL level, push-pull				H					
Output signals									
A, B				BX					
Connection									
Cable, 4-pin, pin contacts with coupling type 10					K10SK4				
Operating temperature									
-20...+85 °C						S			
Blind hollow shaft									
$\varnothing 4$ mm							4		
Protection									
IP 64								IP64	
Mounting kit									
Mounting kit 102									102