

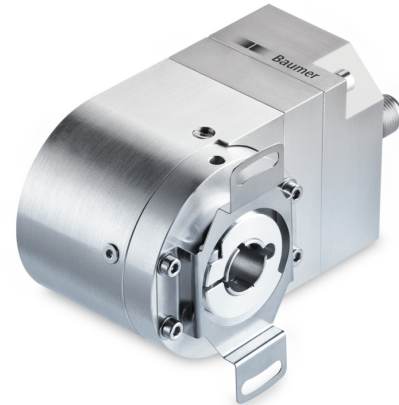
GOMMH

 Through hollow shaft up to $\varnothing 14$ mm

Optical multiturn encoders 13 bit ST / 16 bit MT

Overview

- Encoder multiturn / bus cover
- Optical sensing method
- Resolution: singleturn 13 bit, multiturn 16 bit
- Through hollow shaft up to $\varnothing 14$ mm
- Interface: Profibus-DP
- High reliability by self-diagnostics
- Encoder for parameterization
- Maximum resistant against magnetic fields



Technical data

Technical data - electrical ratings

Voltage supply	10...30 VDC
Reverse polarity protection	Yes
Consumption w/o load	≤ 100 mA (24 VDC)
Initializing time typ.	250 ms after power on
Interface	Profibus-DPV0
Function	Multiturn
Device adress	Rotary switches in bus cover or via interface
Steps per revolution	≤ 8192 / 13 bit
Number of revolutions	≤ 65536 / 16 bit
Absolute accuracy	$\pm 0.025^\circ$
Sensing method	Optical
Code	Binary
Code sequence	CW/CCW programmable
Interference immunity	EN 61000-6-2
Emitted interference	EN 61000-6-4
Programmable parameters	Steps per revolution Number of revolutions Preset Scaling Rotating direction
Diagnostic function	Position or parameter error Multiturn sensing

Technical data - electrical ratings

Status indicator	DUO-LED integrated in bus cover
Approval	UL approval / E63076

Technical data - mechanical design

Size (flange)	$\varnothing 58$ mm
Shaft type	$\varnothing 10...14$ mm (through hollow shaft)
Protection EN 60529	IP 54 IP 65 (optional)
Operating speed	≤ 6000 rpm (mechanical) ≤ 6000 rpm (electric)
Starting acceleration	≤ 1000 U/s ²
Starting torque	≤ 0.04 Nm (+25 °C, IP 54)
Rotor moment of inertia	20 gcm ²
Material	Housing: aluminium Flange: aluminium Bus cover: aluminium
Operating temperature	-25...+85 °C -40...+85 °C (optional)
Relative humidity	95 % non-condensing
Resistance	EN 60068-2-6 Vibration 10 g, 16-2000 Hz EN 60068-2-27 Shock 200 g, 6 ms
Weight approx.	600 g
Connection	Bus cover

Optional

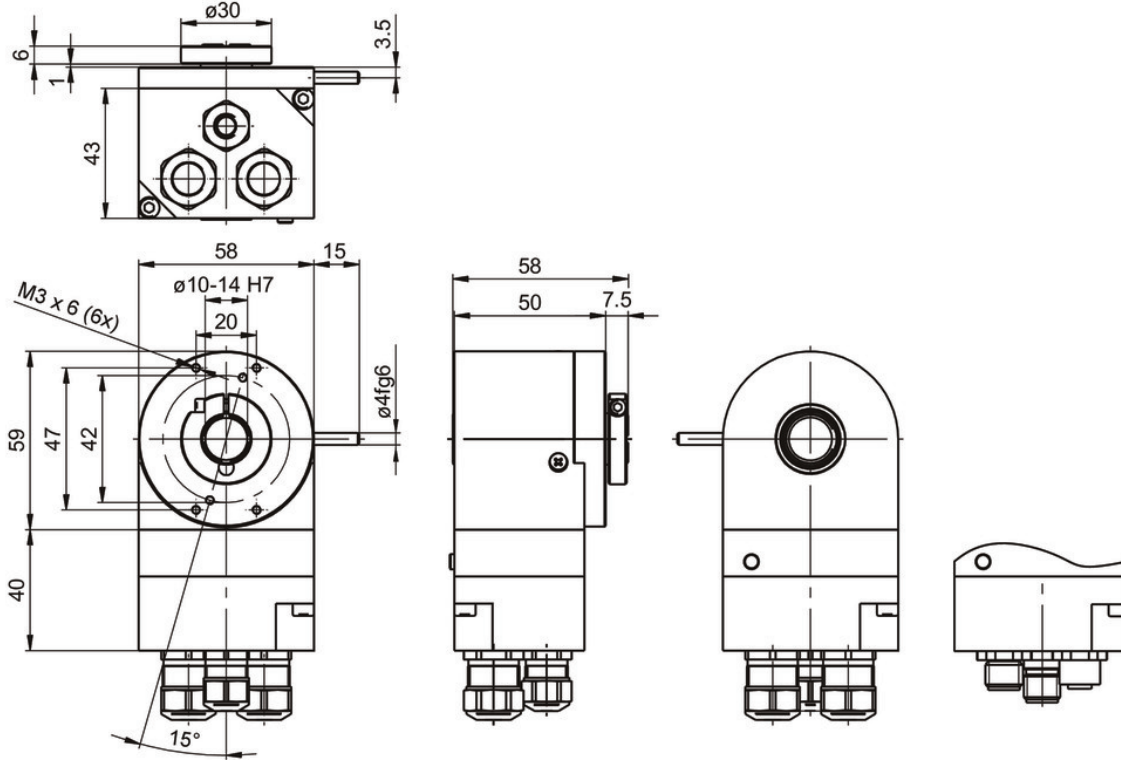
- Stainless steel design with protection IP 69K

GOMMH

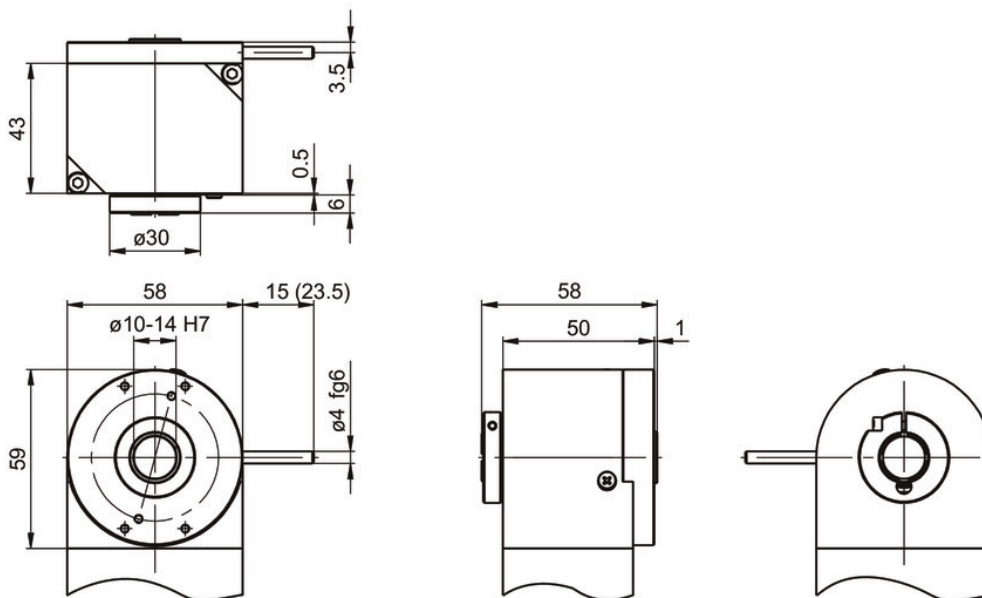
Through hollow shaft up to $\varnothing 14$ mm

Optical multiturn encoders 13 bit ST / 16 bit MT

Dimensions



With clamping ring on flange



With clamping ring on housing

GOMMH

Through hollow shaft up to ø14 mm

Optical multiturn encoders 13 bit ST / 16 bit MT

Ordering reference

		GOMMH	.	#	20	####
Product						
		GOMMH				
Through hollow shaft / clamping ring						
ø10 mm, without pin / on flange						8
ø10 mm, pin 15 mm / on flange						9
ø12 mm, without pin / on flange						0
ø12 mm, pin 15 mm / on flange						1
ø14 mm, without pin / on flange						4
ø14 mm, pin 15 mm / on flange						5
ø12 mm, without pin / on housing						L
ø12 mm, pin 23.5 mm / on housing						A
ø14 mm, without pin / on housing						M
ø14 mm, pin 23.5 mm / on housing						E
Voltage supply						
10...30 VDC						20
Interface						
Profibus-DPV0 / cable gland						3P32
Profibus-DPV0 / connector M12						3PA2

Accessories

Mounting accessories

10139345	Torque support by rubber buffer for encoders with 15 mm pin (Z 119.041)
11066120	Mounting kit 056
11034106	Spring coupling for motor's fan guard (Z 119.053)
10165157	Spring coupling for encoders with ø58 mm housing, hole distance 73 mm (Z 119.072)
11034121	Spring coupling for encoders with ø58 mm housing, hole distance 68 mm (Z 119.073)
11034123	Spring coupling for one-side attachment, length 115 mm (Z 119.076)
11003562	Spring coupling for encoders with ø58 mm housing, hole distance 63 mm (Z 119.082)
11098229	Clamping ring set 16/30x6 - stainless steel (Z 119.092)